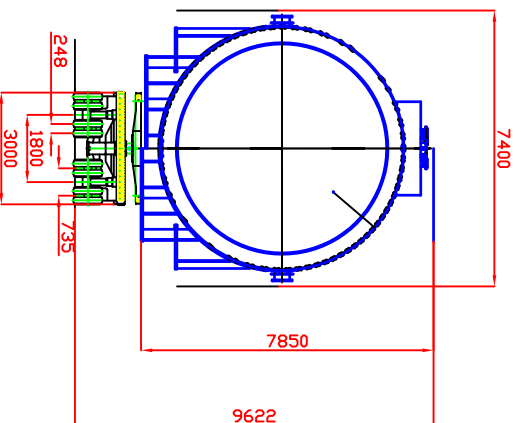


axle weights (t) 10 x 16,65

12 x 13,46

8,0 7,0 10,0 10,0



	loaded	empty
total length (m)	48,50	-
total length incl. pushing truck (m)	-	-
total width (m)	7,40	3,00
total height (m)	9,62 (9,50)	1,12
total weight (t)	328	103
total weight incl. pushing truck (t)	-	-
transport route	-	-
load	Tank 48,50 x 7,40 x 7,85 225 t	
weight unit : tons (t)		

vehicle combination

**Adamo**  
Grüss Stroos 88  
L-9991 Velswampach

Selbstfahrer 10x1 + 12x1

drawer	Date	Project / drawing-N°
Thelen	21.04.09	

This document was created with Win2PDF available at <http://www.win2pdf.com>.  
The unregistered version of Win2PDF is for evaluation or non-commercial use only.